

*For Commercial Applications*

Job Name		Engineer / Architect	
Job Location		Wholesaler	
Submittal Date		Contractor	

## PRB Series Malleable Black Iron Pipe Reducer Bushing

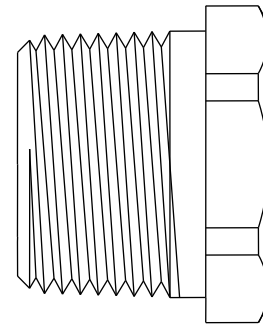
**Use:** Commercial food service applications

**Design Features:**

- **Finish machined one-piece iron body** provides strength, durability, and long-lasting performance

**Operating Specifications:**

**Temperature:** 32° to 125° F  
**Pressure:** 1/2 PSI maximum

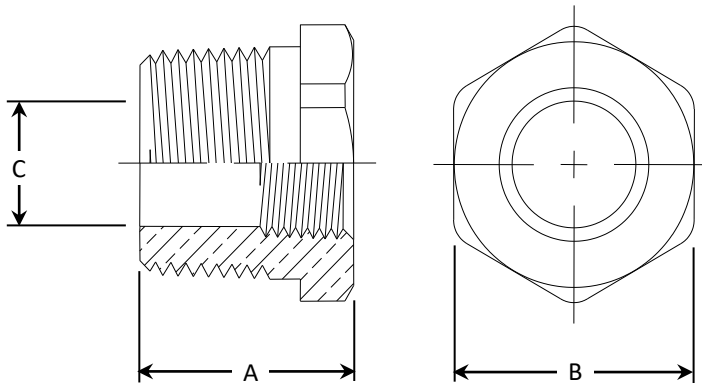


MATERIAL SPECIFICATIONS	
<b>Fitting</b>	Malleable black iron

**Part Listing:**

- PRB-12-8      3/4" MIP x 1/2" FIP pipe reducing bushing
- PRB-16-12    1" MIP x 3/4" FIP pipe reducing bushing

PART DIMENSIONS (Inches)			
Model	DIM. A	HEX. B	DIM. C
PRB-12-8	1.00	1.13	.70
PRB-16-12	1.09	1.38	.89



*This specification and all information contained herein is the confidential and exclusive property of Brasscraft Manufacturing Company., and shall not be disclosed to others without the written consent of Brasscraft Mfg. Co. This specification must be returned to Brasscraft Mfg. Co. if requested.*

