

**For Commercial Applications**

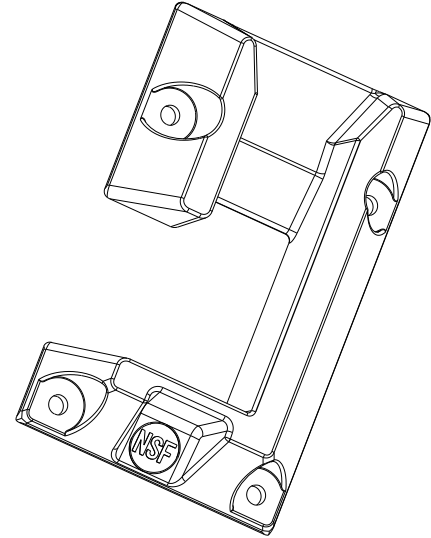
Job Name		Engineer / Architect	
Job Location		Wholesaler	
Submittal Date		Contractor	

## WPS Series Wheel Chock

**Use:** Commercial food service applications with caster mounted equipment

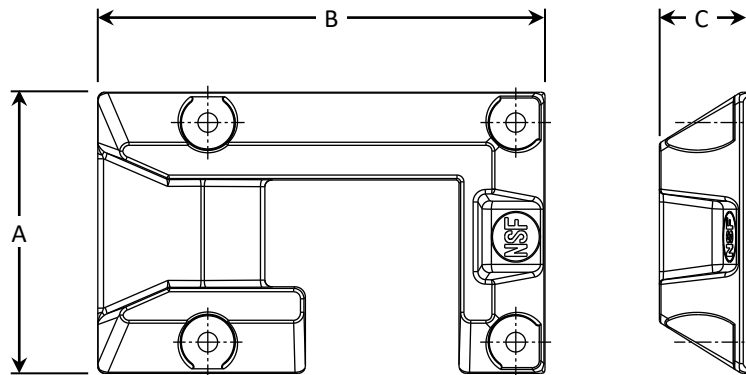
**Design Features:**

- Compatible with 4", 5", and 6" casters
- Can be used for new or existing equipment
- Molded with a flame-retardant polymer blend
- Certified to NSF/ANSI Standard 169-Special Purpose Food Equipment & Devices
- Withstands 1,000 lbs of crush force



<b>MATERIAL SPECIFICATIONS</b>	
<b>Wheel Chock</b>	Polyamide
<b>Mounting Screws</b>	Steel, plated
<b>Adhesive Foam Tape</b>	Foam tape

<b>PART DIMENSIONS (Inches)</b>			
Model	DIM. A	DIM. B	DIM. C
WPS	4.75	7.63	1.50



**Part Listing:**

- WPS Wheel Chock for Movable Appliances

**Listings & Certifications**

- Certified to NSF/ANSI Standard 169-Special Purpose Food Equipment & Devices

*This specification and all information contained herein is the confidential and exclusive property of Brasscraft Manufacturing Company, and shall not be disclosed to others without the written consent of Brasscraft Mfg. Co. This specification must be returned to Brasscraft Mfg. Co. if requested.*