

For Commercial Applications

Job Name		Engineer / Architect	
Job Location		Wholesaler	
Submittal Date		Contractor	

TBV CFS Series Full-Port Gas Ball Valve

Use: For use with natural, manufactured, mixed, liquefied-petroleum (LP) gas, and LP gas-air mixtures for Commercial Food Service applications.

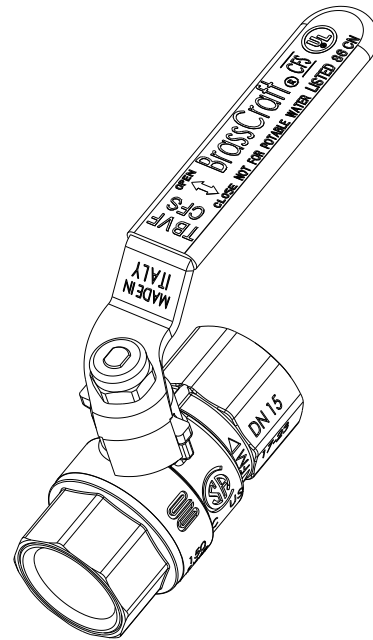
Note: The National Fuel Gas Code requires a gas shut-off valve installed upstream, within “easy reach” or 6 feet of the gas appliance

Design Features:

- **Heavy duty, forged brass body** is extremely robust to high pressures and environment
- **Blow-out proof stem** is assembled from the inside with double o-rings for reliable performance
- **Right-sized handles** ensure on-off operation even in tight installations
- **Quarter turn operation** for easy on/off flow control
- **Full flow operation.** Full port design provides abundant gas flow without obstruction
- **Approved** for indoor use

Operating Specifications:

Temperature: 32°- 125°F
Pressure: 1/2 PSI maximum



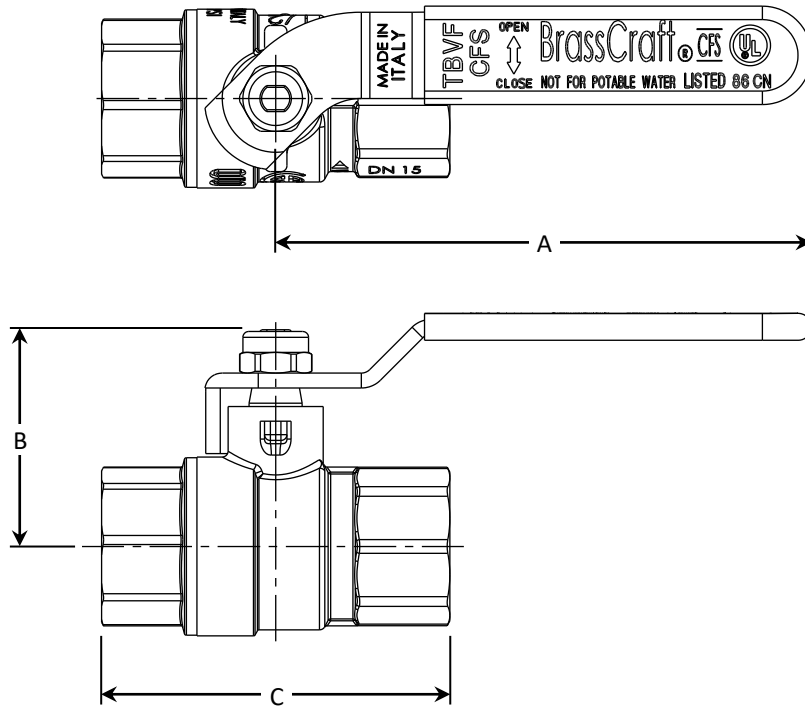
VALVE MATERIAL SPECIFICATIONS	
Body	Forged brass
Retainer	Forged brass
Ball	Brass, plated
Seat	PTFE
Stem	Brass
O-ring	Rubber
Washer	PTFE
Handle	Metal
Screw	Steel, zinc plated

This specification and all information contained herein is the confidential and exclusive property of Brasscraft Manufacturing Company, and shall not be disclosed to others without the written consent of Brasscraft Mfg. Co. This specification must be returned to Brasscraft Mfg. Co. if requested.

TBV CFS Series Full-Port Gas Ball Valve

Part Listing:

- TBV8F CFS 1/2" FIP x 1/2" FIP full-port gas ball valve
- TBV12F CFS 3/4" FIP x 3/4" FIP full-port gas ball valve
- TBV16F CFS 1" FIP x 1" FIP full-port gas ball valve



PART SPECIFICATIONS (Inches)			
Model	DIM. A	DIM. B	DIM. C
TBV8F	3.54	1.56	2.30
TBV12F	4.13	1.95	2.54
TBV16F	4.13	2.03	3.05

Country of Origin:

Made in Italy

Listings and Certifications:

- CSA listed to ANSI Z21.15 / CSA 9.1, ANSI / ASME B16.44 and CGA CR91-002



This specification and all information contained herein is the confidential and exclusive property of Brasscraft Manufacturing Company, and shall not be disclosed to others without the written consent of Brasscraft Mfg. Co. This specification must be returned to Brasscraft Mfg. Co. if requested.

