

**For Commercial Applications**

|                |  |                      |  |
|----------------|--|----------------------|--|
| Job Name       |  | Engineer / Architect |  |
| Job Location   |  | Wholesaler           |  |
| Submittal Date |  | Contractor           |  |

## SWV Series Swivel Fitting

**Use:** Commercial food service applications

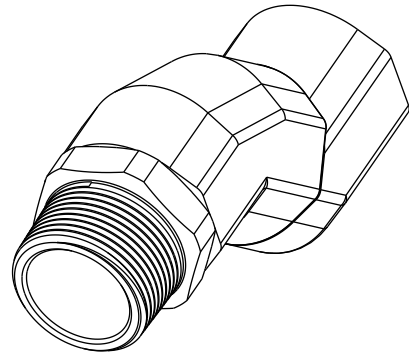
**Design Features:**

- Commercial grade swivel provides strength, durability, and long-lasting performance
- Provides maximum adjustability with two planes of rotation

**Operating Specifications:**

**Temperature:** 32° to 125° F

**Pressure:** 1/2 PSI maximum

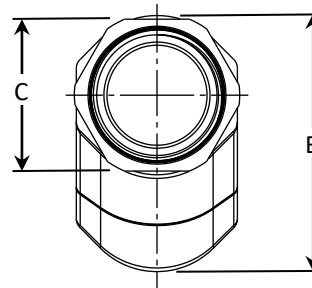
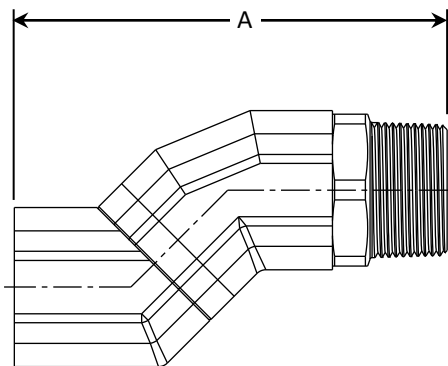


| MATERIAL SPECIFICATIONS |                                   |
|-------------------------|-----------------------------------|
| <b>Swivel Fitting</b>   | Metal Alloy Compliant with UL 567 |

**Part Listing:**

- SWV12            3/4" FIP x 3/4" MIP swivel fitting
- SWV16            1" FIP x 1" MIP swivel fitting

| PART DIMENSIONS (Inches) |        |        |        |
|--------------------------|--------|--------|--------|
| Model                    | DIM. A | DIM. B | HEX. C |
| SWV12                    | 4.21   | 2.37   | 1.37   |
| SWV16                    | 4.75   | 2.75   | 1.68   |



*This specification and all information contained herein is the confidential and exclusive property of Brasscraft Manufacturing Company, and shall not be disclosed to others without the written consent of Brasscraft Mfg. Co. This specification must be returned to Brasscraft Mfg. Co. if requested.*

