

For Commercial Applications

Job Name		Engineer / Architect	
Job Location		Wholesaler	
Submittal Date		Contractor	

202 Series Malleable Iron Street Elbow

Use: Commercial food service applications

Design Features:

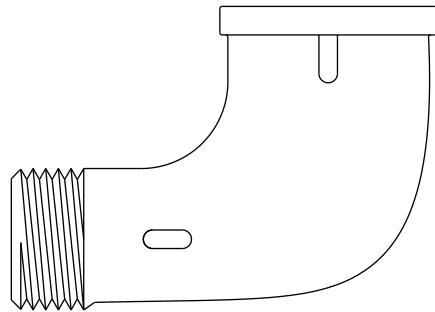
- **Finish machined one-piece iron body** provides strength, durability, and long-lasting performance

Operating Specifications:

Temperature: 32° to 125° F

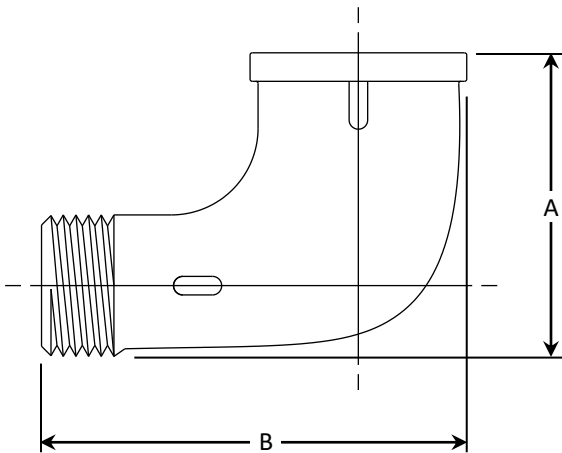
Pressure: 1/2 PSI maximum

MATERIAL SPECIFICATIONS	
Fitting	Malleable iron



Part Listing:

- 202-8CB 1/2" FIP x 1/2" MIP malleable iron 90° street elbow
- 202-12CB 3/4" FIP x 3/4" MIP malleable iron 90° street elbow
- 202-16CB 1" FIP x 1" MIP malleable iron 90° street elbow



PART DIMENSIONS (Inches)		
Model	DIM. A	DIM. B
202-8	2.00	1.50
202-12	2.50	1.75
202-16	3.00	2.00

This specification and all information contained herein is the confidential and exclusive property of Brasscraft Manufacturing Company and shall not be disclosed to others without the written consent of Brasscraft Mfg. Co. This specification must be returned to Brasscraft Mfg. Co. if requested.