

For Commercial Applications

Job Name		Engineer / Architect	
Job Location		Wholesaler	
Submittal Date		Contractor	

200 Series Iron Pipe Female Elbow

Use: Commercial food service applications

Design Features:

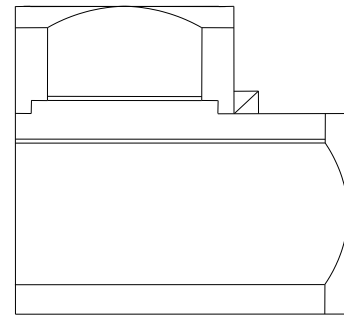
- **Finish machined one-piece brass body** provides strength, durability, and long-lasting performance

Operating Specifications:

Temperature: 32° to 125° F

Pressure: 1/2 PSI maximum

MATERIAL SPECIFICATIONS	
Fitting	Brass or malleable iron

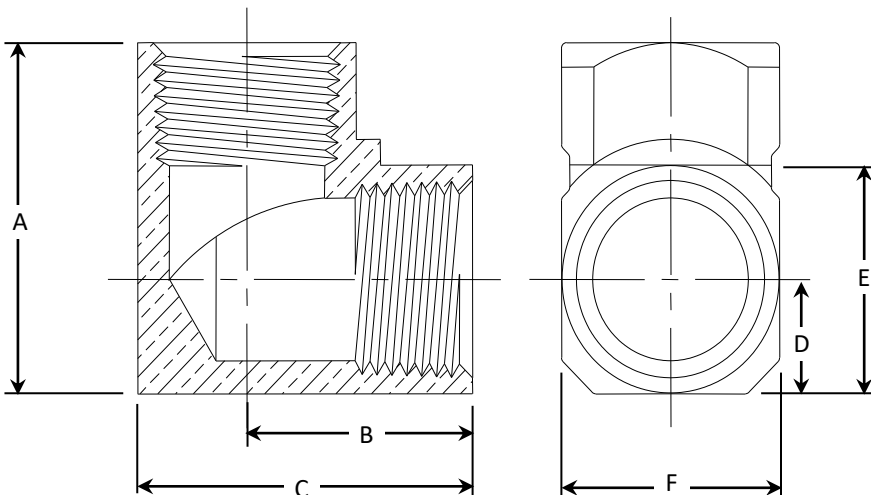


Representative image

Part Listing:

- 200-12CB 3/4" FIP, both ends, female elbow

PART DIMENSIONS (Inches)						
Model	DIM. A	DIM. B	DIM. C	DIM. D	DIM. E	DIM. F
200-12	1.84	1.34	1.84	.69	1.37	1-1/4



This specification and all information contained herein is the confidential and exclusive property of Brasscraft Manufacturing Company, and shall not be disclosed to others without the written consent of Brasscraft Mfg. Co. This specification must be returned to Brasscraft Mfg. Co. if requested.

600.10_200 Series_CFS_Malleable_Black_Iron_Female_Elbow_REV 9.19



©2019 Brasscraft Manufacturing Company