

MIXET® INSTALLATION INSTRUCTIONS

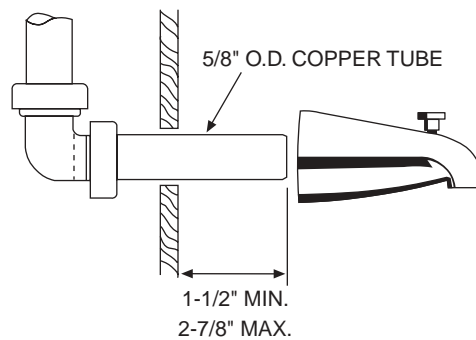
Slip-On Diverter (QuikSpout™) Installation

(Read All Instructions Carefully Before Installing)

**For exposed 5/8" O.D. copper tube that is
1-1/2" (min.) to 2-7/8" (max.) from wall.**

1. Remove old tub spout. If 5/8" O.D. copper tube extends more than 2-7/8" from wall, use a hacksaw to cut to proper length.
2. Slip new tub spout over 5/8" O.D. copper tube.
Note: To ensure a proper seal, make sure copper tube is free of burrs and sharp edges.
3. Align spout for vertical water flow and using a 5/32" allen wrench, tighten screw on under side of spout.

Tools Needed for Installation: • 5/32" Allen Wrench • Hacksaw (if necessary)



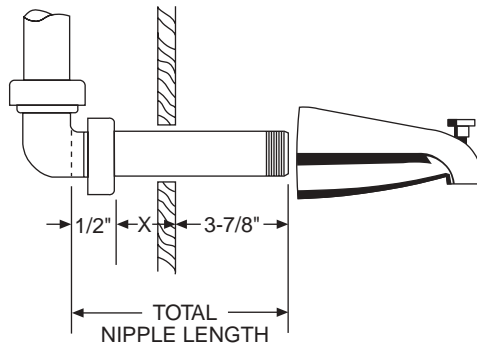
MIXET[®] INSTALLATION INSTRUCTIONS

IP Diverter Installation

(Read All Instructions Carefully Before Installing)

1. Unthread present tub spout.
2. If not already in place, install 1/2" pipe nipple to extend 3-7/8" out from finished wall. If buying a new nipple, do not forget to measure distance (X) from finished wall to face of fitting inside wall. Add 1/2" for threads inside fitting.
3. Thread new tub spout directly to 1/2" nipple. Use Teflon[®] thread tape or pipe dope on all threaded connections.
4. Align for vertical flow, tighten spout as tight as possible by hand only. DO NOT use wrench.

Tools Needed for Installation: Teflon[®] thread tape or pipe dope



MIXET® INSTALLATION INSTRUCTIONS

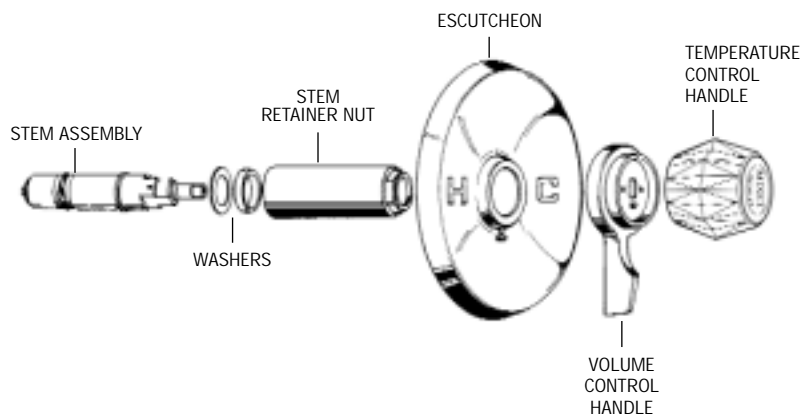
Typical Cartridge Installation

(Read All Instructions Carefully Before Installing)

1. Turn off water supply. Remove the volume and temperature control handles and the escutcheon.
2. Remove stem retainer nut by turning counterclockwise with an adjustable wrench.
3. Remove old stem assembly with twisting pulling motion using the temperature handle as a tool. Push new stem assembly in place with twisting motion until brass ring comes in contact with valve body. Red mark on stem assembly must point up.
4. Tighten new stem retainer nut clockwise with an adjustable wrench until snug. There should be no endplay in the assembly after the stem retainer nut is installed. If the temperature handle seems to turn too freely, tighten stem retainer nut slightly by turning clockwise. If temperature handle seems to turn too tightly, loosen stem retainer nut slightly by turning counterclockwise.
5. Replace escutcheon and control handles. Turn on water supply.

Tools Needed for Installation:

- Screwdriver
- Adjustable Wrench



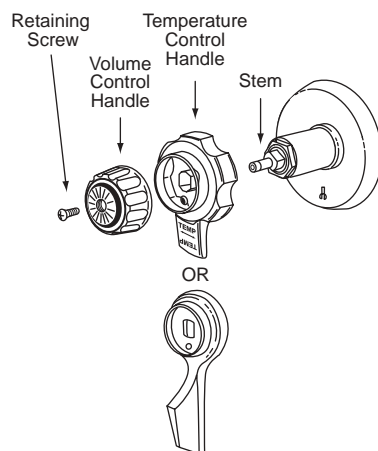
MIXET® INSTALLATION INSTRUCTIONS

Handle Installation

(Read All Instructions Carefully Before Installing)

1. Unthread and remove retaining screw.
2. Gently remove volume control handle and temperature control handle.
3. Slip new temperature control handle over stem.
4. Replace volume control handle and secure with retaining screw.

Tools Needed for Installation: Screwdriver



MIXET[®] INSTALLATION INSTRUCTIONS

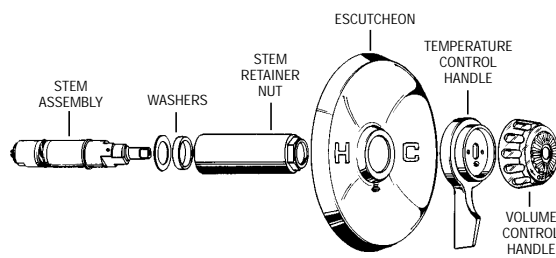
Trim Kit (Standard Handle) Installation

(Read All Instructions Carefully Before Installing)

1. Turn off water supply. Remove the volume and temperature control handles and the escutcheon.
2. Replace escutcheon and control handles. Turn on water supply.

Tools Needed for Installation:

- Screwdriver
- Adjustable Wrench



MIXET® INSTALLATION INSTRUCTIONS

Trim Kit (Deluxe Handle) Installation

(Read All Instructions Carefully Before Installing)

1. Turn off water supply. Remove the volume and temperature control handles and the escutcheon.
2. Replace escutcheon and control handles. Turn on water supply.

Tools Needed for Installation:

- Screwdriver • Adjustable Wrench

